

# ivNow®

## Fluid Warming

Patent WO 2010/030746  
Canada Patent 2692640



Modular configuration

Wall mount: 1-3 bag capacity

Countertop: 1-3 bag capacity

Pole mount: 1-3 bag capacity

Accommodates 0.5L, 1L, 2L & 3L bags

Anodized aluminum heat plate

Lightweight, medical grade plastic housing

Field customizable pod configuration

Intelligent bag sensors

Dual temperature sensors

Heats to 40°C (104°F) in under an hour

Accuracy of +0°/-2°C (+0°/-3°F)

# ivNow® Modular Fluid Warmer

The ivNow fluid warmer quickly warms and maintains the temperature of injection/intravenous and irrigation solutions prior to their use. The specially contoured warming module cradles solution bags in 0.5-, 1-, 2- & 3-liter sizes. ivNow units can be customized in the field by stacking or removing pods from the configuration. Units can be used for countertop use or wall mounted with the provided mounting plate.

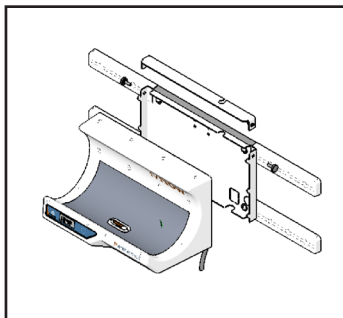
The units are controlled individually with electronic controls with an L.E.D. display for each cavity. The control can easily be set to display temperatures in Celsius or Fahrenheit. A sensor in the heating plate detects the presence of a bag and engages the heating mechanism to quickly begin warming the fluid. Two (2) temperature sensors work in unison to precisely and continuously read

the temperature of the bag and another sensor monitors the plate temperature. A green ready light will illuminate when fluid is within  $+0/-2^{\circ}\text{C}$  ( $+0/-3^{\circ}\text{F}$ ) of the set point temperature. The heater will reengage as necessary to maintain the temperature within  $+0/-2^{\circ}\text{C}$  ( $+0/-3^{\circ}\text{F}$ ) of the set point. The electronic control monitors the length of time the bag has been held at temperature, beginning when the bag reaches set point temperature. A status button will display the time the fluid has been held at temperature.

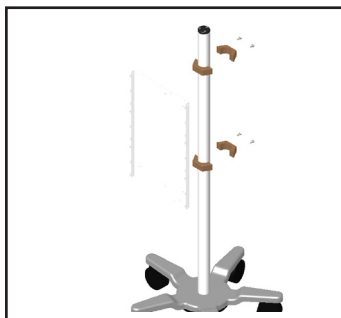
Each ivNow internally tracks the duration an IV bag has been held at the desired temperature. Time duration can be retrieved using the STATUS button. When the IV bag has been warmed longer than 15 days (user adjustable from 7 to 60 days), ivNow will flash DATE on the LED screen to inform clinician the limit has been exceeded and the bag should be discarded.

ACCESSORIES	ivNow-1	ivNow-2	ivNow-3
GCX Heavy Duty Roll Stand for Devices & Bracket Kit	mount to GCX equipment stand - stand included 5025582*	mount to GCX equipment stand - stand included 5025582*	mount to GCX equipment stand - stand included 5025582*
Bracket Kit for Stands	mount to light duty equipment stand or mast - stand not included (cord exits bottom of unit) 5025321	mount to heavy duty equipment stand or mast - stand not included (cord exits bottom of unit) 5025323	mount to heavy duty equipment stand or mast - stand not included (cord exits bottom of unit) 5025323
Bracket Kit for Seismic Horizontal Wall Mount OPM-0163-13	two (2) GCX horizontal rails included 5012242*	two (2) GCX horizontal rails included 5012242*	two (2) GCX horizontal rails included 5012242*
Seismic Vertical Wall Channel Mount & Bracket Kit OPM-0162-13	one (1) GCX vertical rail included 5025322*	one (1) GCX vertical rail included 5025322*	one (1) GCX vertical rail included 5025322*

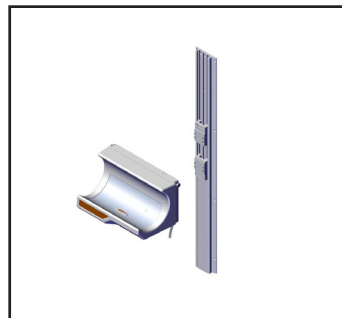
\* See equipment diagram below








Bracket Kit for Seismic Horizontal Wall Mount 5012242  
**OPM-0163-13**



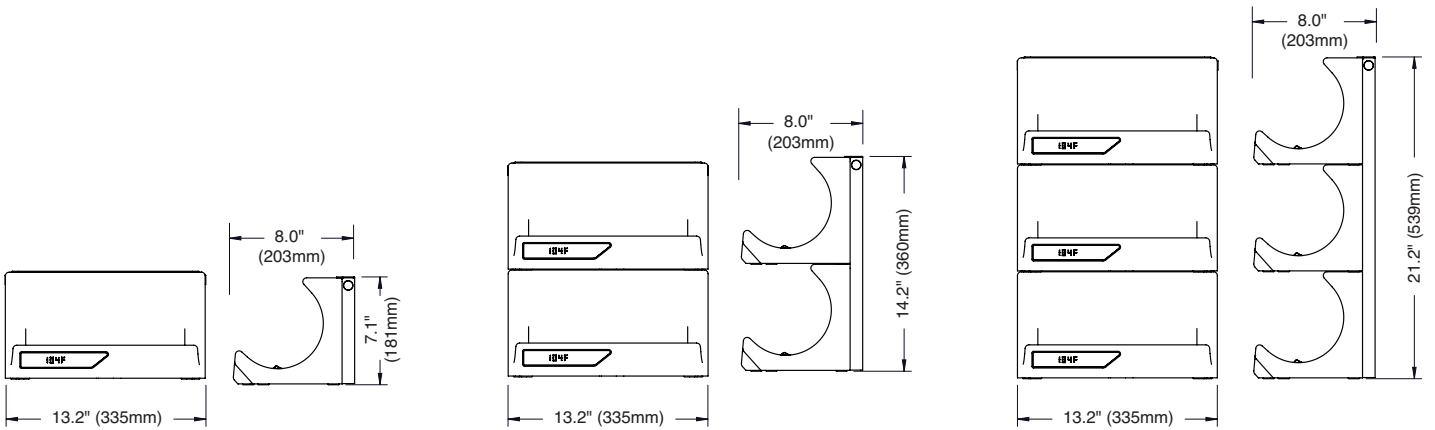
GCX equipment stand and mounting kit 5025582



Seismic Vertical Wall Channel Mount Bracket Kit 5025322  
**OPM-0163-13**

Specs	ivNow-1	ivNow-2	ivNow-3	Plug	Certification
Height (wall unit)	7.1" (181mm)	14.2" (360mm)	21.2" (539mm)	—	—
Width (wall unit)	13.2" (335mm)	13.2" (335mm)	13.2" (335mm)	—	—
Depth (wall unit)	8.0" (203mm)	8.0" (203mm)	8.0" (203mm)	—	—
Cavities	1	2	3	—	—
Net Weight	8 lbs (4 kg)	14 lbs (6 kg)	20 lbs (9 kg)	—	—
Ship Weight	11 lbs (5 kg)	16 lbs (7 kg)	23 lbs (10 kg)	—	—
120V*				 NEMA 5-15P 15A - 125V Plug Hospital Grade	
WATTS	100	200	300		
Hz/PH	60/1	60/1	60/1		
230V*				 BS 1363 Plug* (UK only)  CEE 7/7* 220-230V Plug	
WATTS	100	200	300		
Hz/PH	50/60/1	50/60/1	50/60/1		

\*All units have universal IEC 320 C14 power input, 120/220/230VAC





Enthermics Medical Systems  
An ISO 13485:2003 certified company  
W164 N9221 Water St | Menomonee Falls WI 53051  
Tel 262-251-8356 | 800-TO-B-WARM  
generalinfo@enthermics.com  
www.enthermics.com